



Taylor Davis
...not just ANY packaging company!

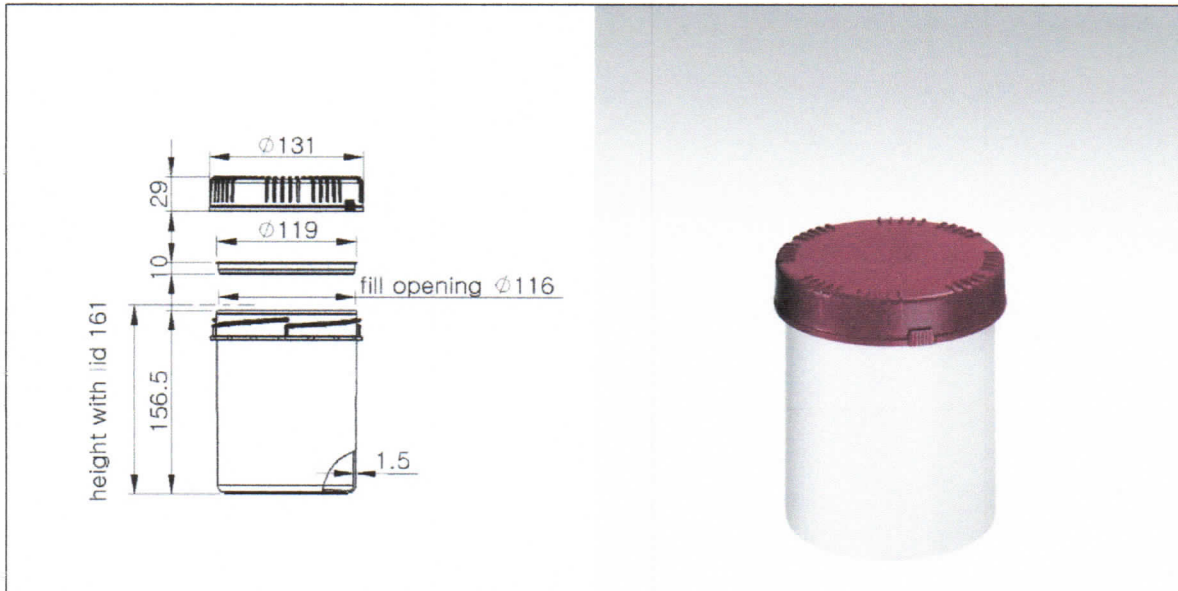
Product Specification Sheet

Product Category: **PACKO JAR**

Product Title: **CURTEC 1500ML 4315 LARGE PACKO JAR**

Product Code: **XB1500M001**

1500 ml Packo



*For tolerances see next page

Product part	Product code	Description
Container	4315-60-004	1500 ml Packo
Lid	4355-70-402	Screw lid
Inner seal	4365-00-000	Inner seal

Capacity	ml	floz
Brimful	1575	53.7
When closed	1500	50.7

Raw material	
Container	HDPE
Lid	HDPE
Inner seal	MDPE

Weight	Grams	Ounces
Container	101	3.56
1C Lid	39.6	1.4
Inner seal	13.6	0.48
Total	154.2	5.44



Taylor Davis

...not just ANY packaging company!

Product Specification Sheet

Product Category: **PACKO JAR**

Product Title: **CURTEC 1500ML 4315 LARGE PACKO JAR**

Product Code: **XB1500M001**

Colours	Colour code	PMS references
Container & Lid	White 004	n/a
Lid	Red 402	Red 199 C
	Yellow 205	Yellow 108C
	Grey 135	Cool Gray 7 C
	Red 480	Red 7645 C
	Green 505	Green 378 C
	Blue 605	Blue 300 C
	Black 101	Black C

Hazmat information	
Hazmat type	Solids
Packaging group	I – II – III
UN marking	1H2/X2.0/S/--/B/CURTEC-080062
Maximum gross mass (kg)	X=2.0 Y=3.0 Z=4.5

Product identification	Container	Lid
Manufacturer ID	Bottom	--
Country of origin	Bottom	--
Product code	Bottom	--
Recycle logo / Material type	Bottom	Inside
Date clock	Bottom	Inside
UN-mark	Bottom	--
Food logo	Bottom	-
Material track clock	Bottom	--

Other information
Packo consists of a container with a transparent insert and a lid with tear-off tamper evident seal
Open and close with just a quarter-turn
Other colours and versions are available on request
Maximum filling temperature is 70°C/ 158°F
Contents must have cooled to 30°C/ 86°F before containers can be closed and stacked
DoC available on request
UN certificate available on request
MVTR declaration available on request
User manual available on request

Dimensional tolerance (mm) according to DIN16742-TG7																
Over	1	>3	>6	>10	>18	>30	>50	>80	>120	>180	>250	>315	>400	>500	>630	>800
up to	3	6	10	18	30	50	80	120	180	250	315	400	500	630	800	1000
NW (±)	0.20	0.29	0.35	0.42	0.50	0.60	0.90	1.25	1.45	1.60	1.80	2.60	3.50	4.00	4.50	5.00

Weight tolerance
All products have a weight tolerance of ±4% of the initial weight mentioned on this data sheet