



Taylor Davis
...not just ANY packaging company!

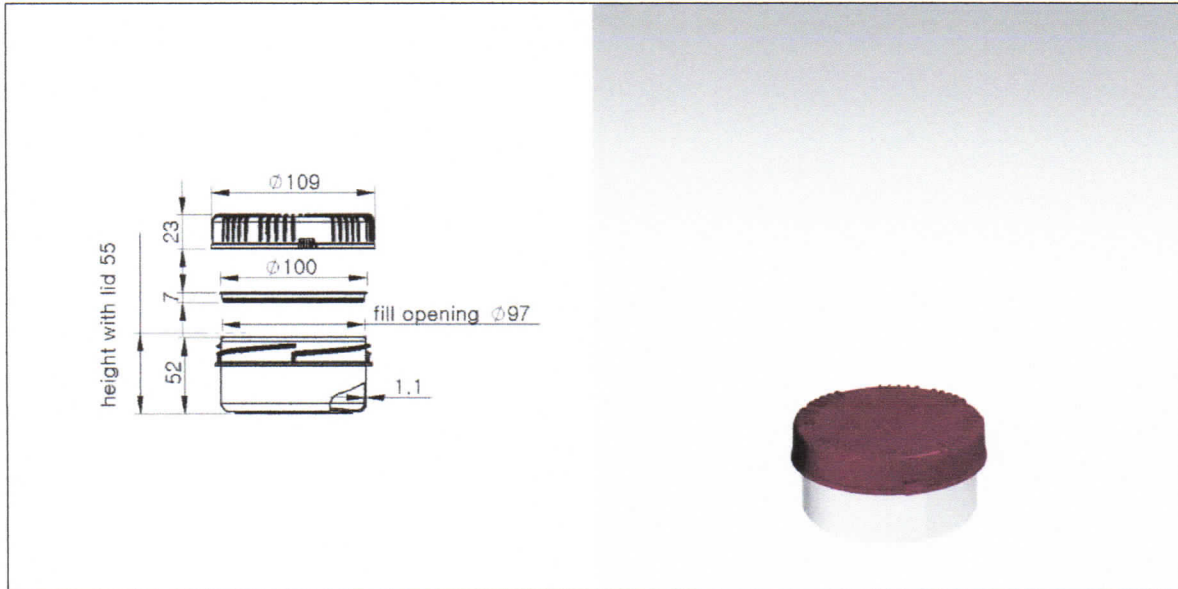
Product Specification Sheet

Product Category: **PACKO JAR**

Product Title: **CURTEC 300ML 4303 HDPE PACKO JAR**

Product Code: **XB0300M002**

300 ml Packo



*For tolerances see next page

Product part	Product code	Description
Container	4303-70-004	300 ml Packo
Lid	4350-70-402	Screw lid
Inner seal	4360-70-000	Inner seal

Capacity	ml	floz
Brimful	360	12.2
When closed	310	10.5

Raw material	
Container	HDPE
Lid	HDPE
Inner seal	MDPE/ PE

Weight	Grams	Ounces
Container	24	0.85
1C Lid	24	0.85
Inner seal	6.25	0.22
Total	54.25	1.92



Taylor Davis
...not just ANY packaging company!

Product Specification Sheet

Product Category: **PACKO JAR**

Product Title: **CURTEC 300ML 4303 HDPE PACKO JAR**

Product Code: **XB0300M002**

Colours	Colour code	PMS references
Container & Lid	White 004	n/a
Lid	Red 402	Red 199 C
	Yellow 205	Yellow 108C
	Grey 135	Cool Gray 7 C
	Red 480	Red 7645 C
	Green 505	Green 378 C
	Blue 605	Blue 300 C
	Black 101	Black C

Hazmat information	
Hazmat type	Solids
Packaging group	I – II – III
UN marking	1H2/X0.4/Y0.6/Z0.9/S/--/NL/ CURTEC-110503
Maximum gross mass (kg)	X=0.4 Y=0.6 Z=0.9

Product identification	Container	Lid
Manufacturer ID	Bottom	--
Product code	Bottom	--
Recycle logo / Material type	Bottom	Inside
Date clock	Bottom	Inside
UN-mark	Bottom	--
Food logo	Bottom	-
Material track clock	Bottom	--

Other information
<p>Packo consists of a container with a transparent insert and a lid with tear-off tamper evident seal</p> <p>Open and close with just a quarter-turn</p> <p>Other colours and versions are available on request</p> <p>Maximum filling temperature is 70°C/ 158°F</p> <p>Contents must have cooled to 30°C/ 86°F before containers can be closed and stacked</p> <p>DoC available on request</p> <p>UN certificate available on request</p> <p>MVTR declaration available on request</p> <p>User Manual available on request</p>

Dimensional tolerance (mm) according to DIN16742-TG7																
Over	1	>3	>6	>10	>18	>30	>50	>80	>120	>180	>250	>315	>400	>500	>630	>800
up to	3	6	10	18	30	50	80	120	180	250	315	400	500	630	800	1000
NW (±)	0.20	0.29	0.35	0.42	0.50	0.60	0.90	1.25	1.45	1.60	1.80	2.60	3.50	4.00	4.50	5.00

Weight tolerance
All products have a weight tolerance of ±4% of the initial weight mentioned on this data sheet