



Taylor Davis

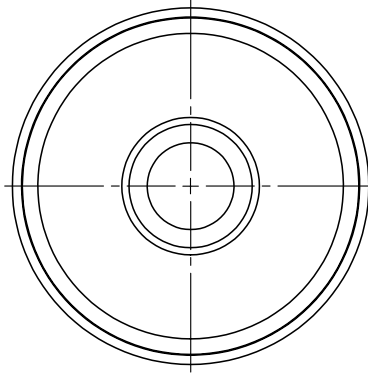
...not just ANY packaging company!

Product Specification Sheet

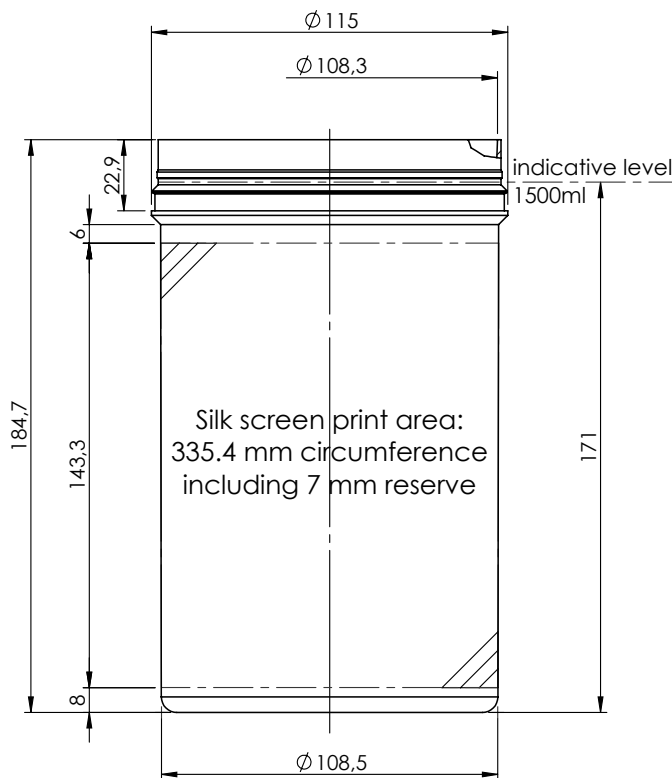
Product Category: **PLASTIC JARS**

Product Title: **JAR 1500ML (110X185) T/E 8402301 - WHITE**

Product Code: **JB1500M002**



DUPLICATA



B	14/10/21	height 22.9 and 143.3; Ø115; indicative level 171 were 22.7 and 123; Ø113.8; indicative level 170.6	PHGO	PHGO
Issue	Date	Modifications (see historic at back)	Modified	Checked
		Designation: SnapLock jar 110x185 1500ml	Drawn by: NIMA	Date: 26/04/2001
		Raw material: PP	Checked by: PHGO	Date: 14/10/2021
		Brimfull capa.: 1630±40ml	Reference: 84023..	Drawing n°: WEB01_088
		Weight: 100±3g		
	Scale: 1:2	Standard for dimensions without tolerances: NFT 58 000 Normal class		
ALL REPRODUCTION OR COMMUNICATION TO THIRD PARTY IS STRICTLY FORBIDDEN WITHOUT BERRY WRITTEN AUTHORISATION				