



Taylor Davis
...not just ANY packaging company!

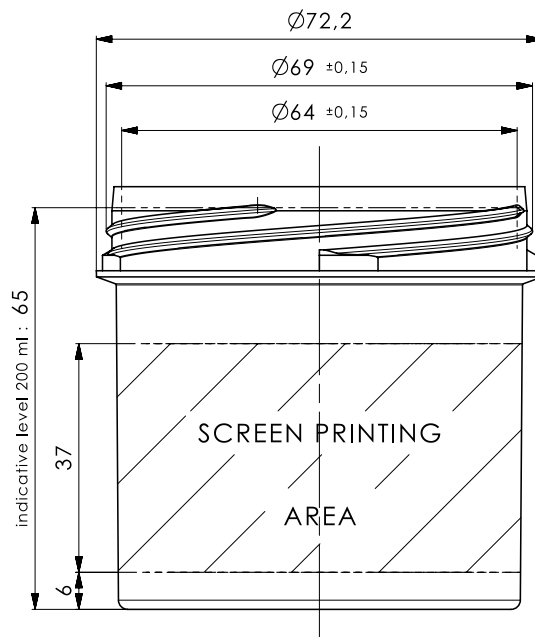
Product Specification Sheet

Product Category: **PLASTIC JARS**

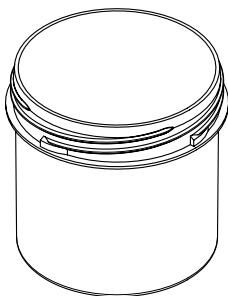
Product Title: **JAR 200ML (65X70) SC/TE 8600302 - WHITE**

Product Code: **JB0200M003**

4 right threads start at 90°
Pitch 16 mm



SCALE 1 : 1



DUPLICATA

C	19/07/21	Weight 17.5±1g was 18.5±1g	PHGO	BEBO
Issue	Date	Modifications (see historic at back)	Modified	Checked
		Designation: Screwlock jar 65x70 200 ml	Drawn by: NIMA	Date: 16/03/2018
		Raw material: PP	Checked by: BEBO	Date: 30/05/2019
		Brimfull capa.: 214±6ml	Reference: 86003..	Drawing n°: WEB18_047
		Weight: 17.5±1g		
⊕	A4	Scale: 1:1	Standard for dimensions without tolerances: NFT 58 000 Normal class	
ALL REPRODUCTION OR COMMUNICATION TO THIRD PARTY IS STRICTLY FORBIDDEN WITHOUT BERRY WRITTEN AUTHORISATION				