



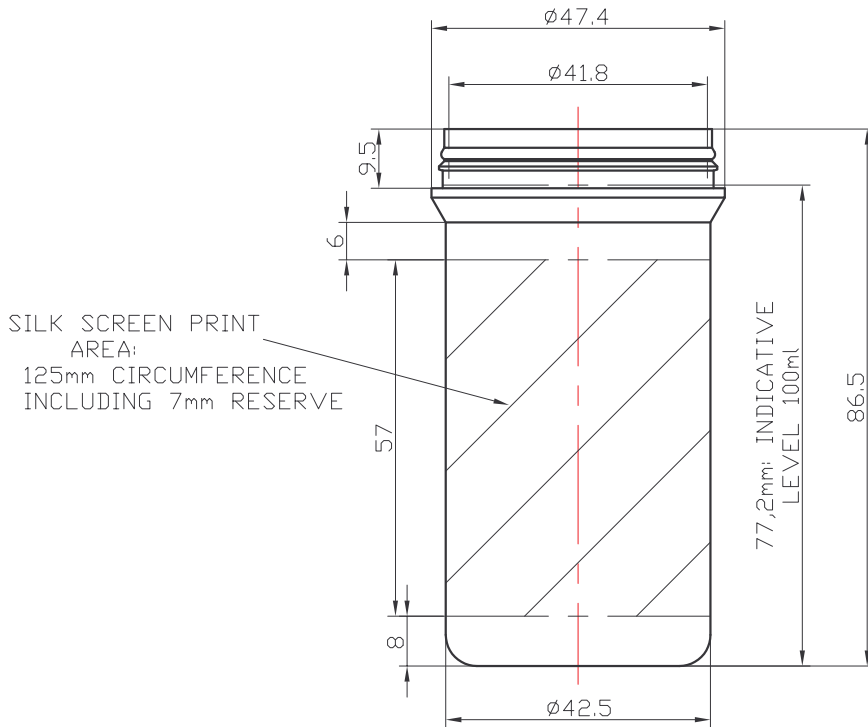
Taylor Davis
...not just ANY packaging company!

Product Specification Sheet

Product Category: **PLASTIC JARS**

Product Title: **JAR 100ML (45X80) T/E 8400601 - WHITE**

Product Code: **JB0100M006**



DIMENSIONS	TOL.
$a < 10$	± 0.3
$10 < a < 25$	± 0.4
$25 < a < 50$	± 0.55
$50 < a < 75$	± 0.83
$75 < a < 150$	± 1.15
$150 < a < 200$	± 1.5
$200 < a < 250$	± 1.8

ISSUE	DATE	DESIGNATION: PI BECOMES SNAPLOCK JAR MODIFICATIONS
ALL REPRODUCTION OR COMMUNICATION OF THIS INFORMATION TO A THIRD PARTY IS STRICTLY FORBIDDEN WITHOUT PROMENS WRITTEN AUTHORISATION		
SNAPLOCK JAR 45x80 (100ml)		REFERENCE: 84006..
DRAWN: N.M.		CUSTOMER: STANDARD
CHECKED: MG	DATE: 26.04.01	RAW MATERIAL: PP
SCALE: 1	DATE: 23.11.07	WEIGHT: 13.6 \pm 1.5g
ISSUE: A	BRIMFUL CAPACITY: 114 \pm 2.5ml	DRAWING NUMBER: WEB-01_072

