



Taylor Davis
...not just ANY packaging company!

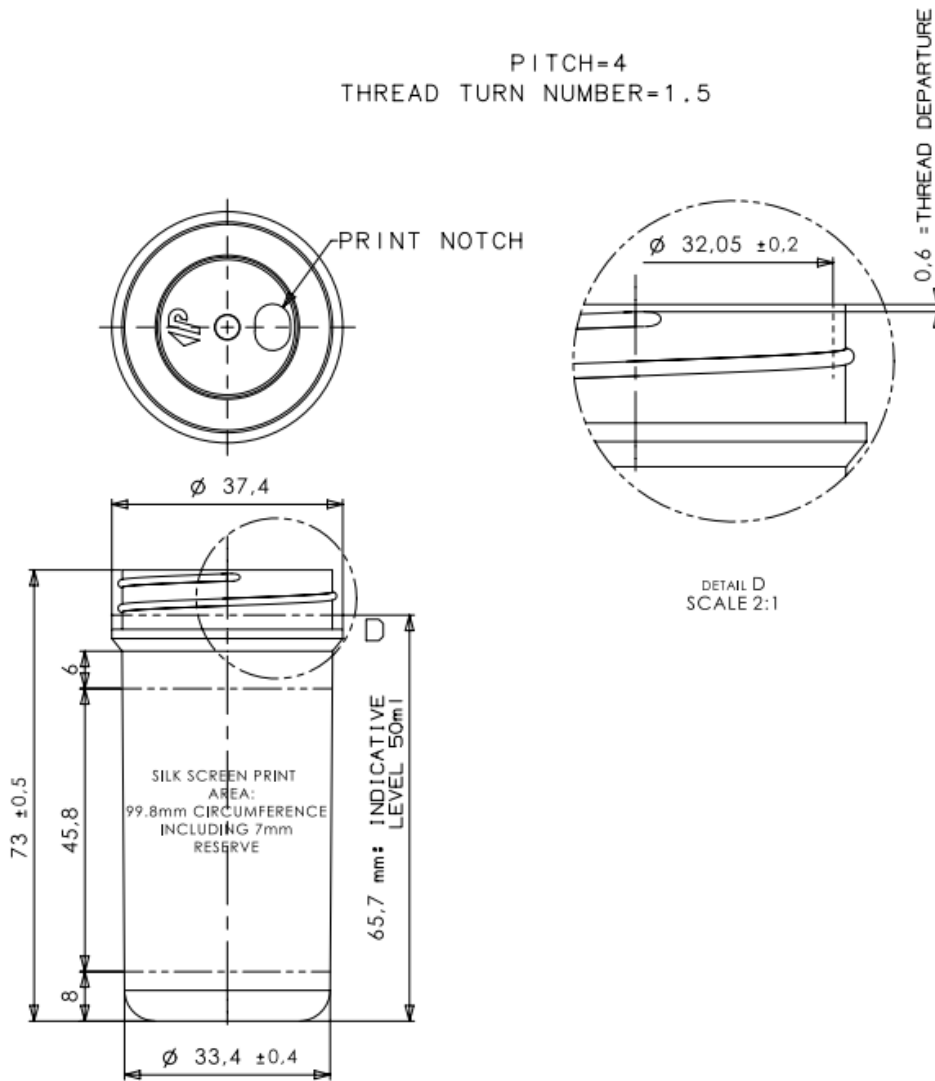
Product Specification Sheet

Product Category: Plastic Jars

Product Code: JB0035M001

Optima Screw Top Jar - 50ml

JB0050M003



F	02/07/21	Weight 8.5±0.5g was 8±0.5g	PHGO	RECO
Issue	Date	Modifications (see historic at back)	Modified	Checked
		Designation:	Drawn by:	Date:
		Optima jar 35x70 50 ml	NIMA	26/04/2001
		Raw material:	Checked by:	Date:
		PP	MAGE	23/11/2007
		Brimful capa.:	Reference:	Drawing n°:
		56.8±1.5ml	80008..	WEB01_035
		Weight:	Standard for dimensions without tolerances: NFT 58 000 Normal class	
		8.5±0.5g	ALL REPRODUCTION OR COMMUNICATION TO THIRD PARTY IS STRICTLY FORBIDDEN WITHOUT BERRY WRITTEN AUTHORISATION	
Scale: 1:1				