



**Taylor Davis**

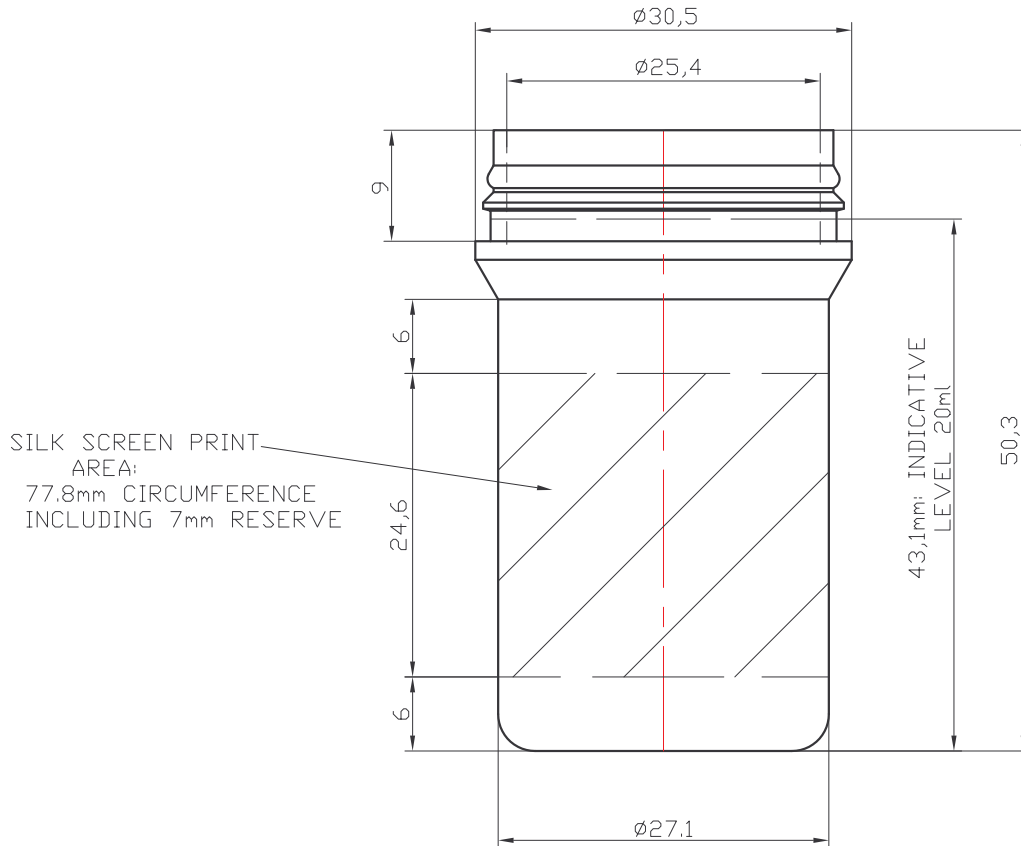
...not just ANY packaging company!

# Product Specification Sheet

Product Category: **PLASTIC JARS**

Product Title: **JAR 20ML (25X50) T/E 8400102 - WHITE**

Product Code: **JB0020M001**



DIMENSIONS	TOL.
a < 10	±0.3
10 < a < 25	±0.4
25 < a < 50	±0.55
50 < a < 75	±0.83
75 < a < 150	±1.15
150 < a < 200	±1.5
200 < a < 250	±1.8

A	26.03.04	DESIGNATION: PDT INVIO BECOMES SNAPLOCK JAR	
ISSUE	DATE	MODIFICATIONS	
ALL REPRODUCTION OR COMMUNICATION OF THIS INFORMATION TO A THIRD PARTY IS STRICTLY FORBIDDEN WITHOUT PROMENS WRITTEN AUTHORISATION			
		SNAPLOCK JAR 25x50 (20ml)	
		REFERENCE:	84001..
		CUSTOMER:	STANDARD
DRAWN: NM	DATE: 26.04.01	RAW MATERIAL: PP	
CHECKED: MG	DATE: 23.11.07	WEIGHT: 5.2±0.3g	
SCALE: 2	ISSUE: A	BRIMFUL CAPACITY: 24.7±0.6ml	
		DRAWING NUMBER:	WEB-01_067