



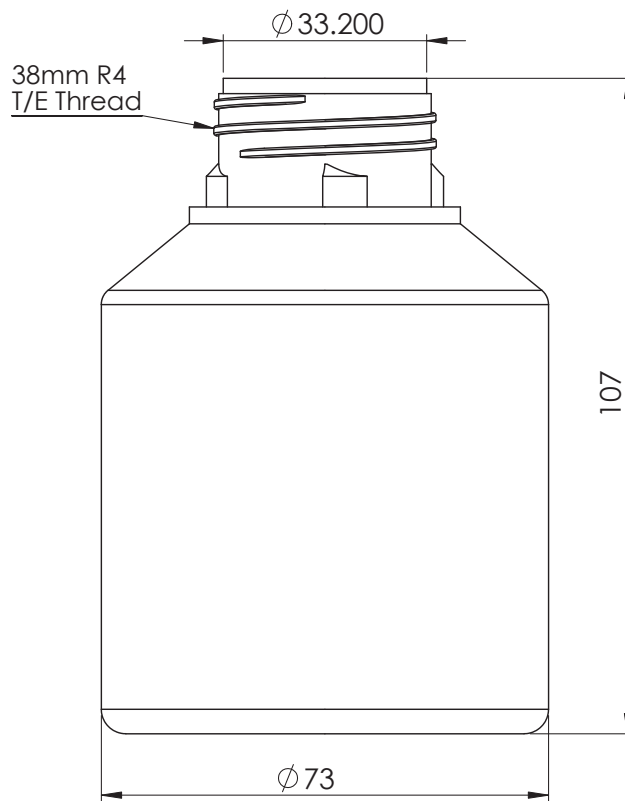
Taylor Davis
...not just ANY packaging company!

Product Specification Sheet

Product Category: **BOTTLES**

Product Title: **BOT 250ML 38MM CASTLE - NATURAL**

Product Code: **IRB250M002**



| | | | | |
|---|--|--|---------------------------------------|--|
| UNLESS OTHERWISE SPECIFIED: DIMENSIONS ARE IN MILLIMETERS SURFACE FINISH: TOLERANCES: LINEAR: ANGULAR: | | | DO NOT SCALE DRAWING | |
| DRAWN | | | TITLE: 250ml 38mm R4 Thread Bottle | |
| NAME | | | DWG NO. W0250 - Tech Spec | |
| DATE | | | A4 | |
| MATERIAL: HDPE | | | SCALE:1:2 | |
| WEIGHT: 25 | | | SHEET 1 OF 1 | |