



Taylor Davis
...not just ANY packaging company!

Product Specification Sheet

Product Category: Jerricans
Product Code: IL38SC019

38/23 Non Pilfer Proof Cap

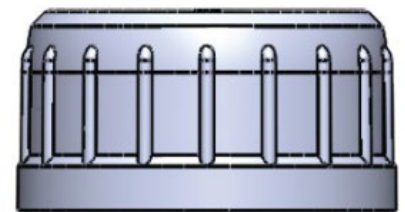
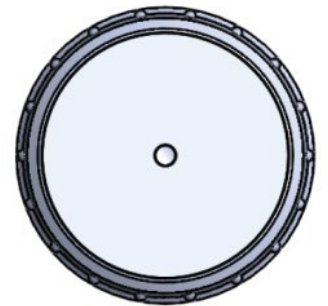
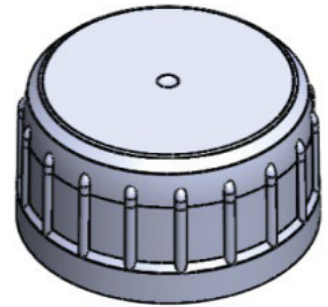
IL38SC019

Materials

Item	Material
Closure Material REF 1	HDPE
Closure Material REF 2	HDPE
Closure Masterbatch REF 1	PE
Liner REF 1	EPE

Dimensions & Weight

Critical Dimensions	Value	Tolerance
Minor Thread (mm)	36.25	± 0.25
Major Thread (mm)	38.40	± 0.30
Wad Bead (mm)	35.35	± 0.20
Internal Height (mm)	20.80	± 0.40
Skirt Diameter (mm)	42.95	± 0.25
Overall Height (mm)	22.40	± 0.40
Gross Weight (g)	5.40	± 10%



Quality Assurances

The raw materials used for conversion into closures comply with: Current Regulation EU No 10/2011 and the latest amendments on plastic articles and articles intended to come into contact with food, Current Packaging and Packaging Waste Directive 94/62/EC and Current Regulation 2023/2006 on GMP. Closures are manufactured and delivered in compliance with ISO 9001, ISO 14001, ISO 45001, ISO 13485 and BRC Global Packaging & Packaging Materials Standard.

Suitability

The customer must test and satisfy themselves that these closures suit their end application.