



**Taylor Davis**  
...not just ANY packaging company!

# Product Specification Sheet

Product Category: **LEVER LID TINS**

Product Title: **LL 1L WHITE/PLAIN UN TIN**

Product Code: **DB01-0L006**

## TECHNICAL DATASHEET

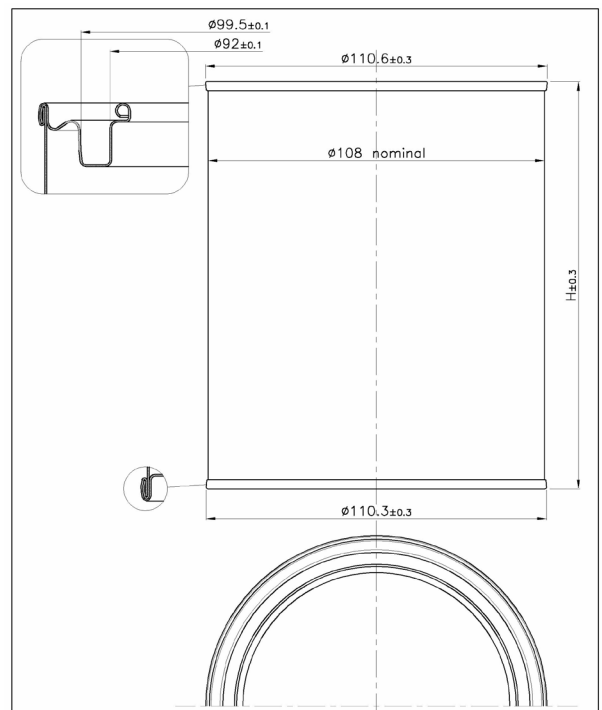
<b>Date</b>	09/11/2017
<b>Article Code</b>	S1605
<b>Description</b>	Ø108 H132 - It 1 GHIERA Ø108 3T
<b>Shape</b>	Cylindrical with ring
<b>Height(H)</b>	132 mm
<b>Body Type</b>	Welded
<b>Weight (gr)</b>	103,0
<b>Drawing</b>	GA08108001_Can_Ø108_straight_3Tring.jpg

<b>Material</b>	<b>Thickness</b>	<b>Temper</b>	<b>Tin</b>
Body	0,18	TH435 (T65 CA)	2,0 - 2,0 (Int-Est)
Bottom end	0,18	TH415 (T61 CA)	2,0 - 2,0 (Int-Est)
Lid	0,25	TS245 (T52 BA)	2,0 - 2,0 (Int-Est)

### BILL OF MATERIAL

F0193	CORPI Ø109 H132 - It 1	PZ	1,0
E0292	FONDO Ø109 NORMALE	PZ	1,0
E0664	Ø108 CORONA 3T	PZ	1,0
ARAM000003	FILO DI RAME DIAM. 1,50 mm.	GR	4,5

Inside	Plain or with suitable protecting coating
Outside	Plain, lacquered or printed as per customer need
Tolerances	According to EN10202:2004



		Date:	24/04/2017	Scale:	1:1	Paper size:	A4
		Drawn by:	D.D'Angelo	Approved by:	...		
Group:	GRUPPO ASA						
Production	Denomination: Cylindrical can Ø108 straight with 3T Ring seamed						
Code n.:	GA08108001	On substitution of:	...	Version:	2		
We reserve the right to legal ownership of this drawing with the prohibition to transfer it to third parts without our approval							