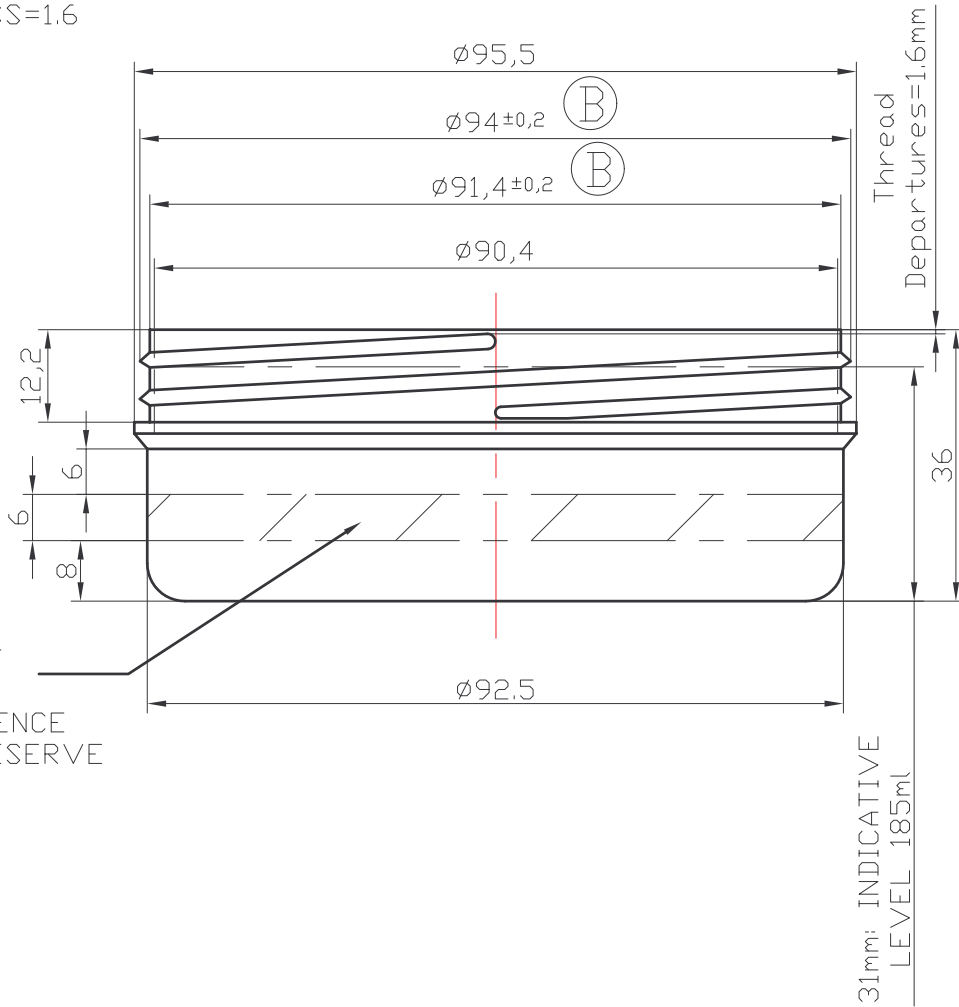



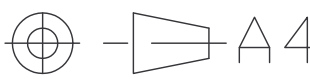
3 THREAD DEPARTURES TO 120°  
 THREAD THICKNESS=1.6  
 PITCH=9mm



SILK SCREEN PRINT  
 AREA:  
 282mm CIRCUMFERENCE  
 INCLUDING 7mm RESERVE

31mm: INDICATIVE  
 LEVEL 185ml

DIMENSIONS	TOL.
a < 10	±0.3
10 < a < 25	±0.4
25 < a < 50	±0.55
50 < a < 75	±0.83
75 < a < 150	±1.15
150 < a < 200	±1.5
200 < a < 250	±1.8

B	06.02.06	ADDITION: TOLERANCE ±0.2 ON DIMENSIONS ø91.4, ø94	
ISSUE	DATE	MODIFICATIONS	
ALL REPRODUCTION OR COMMUNICATION OF THIS INFORMATION TO A THIRD PARTY IS STRICTLY FORBIDDEN WITHOUT PROMENS WRITTEN AUTHORISATION			B.P.9 - Bellignat 01115 OYONNAX FRANCE Tél:(+33) 474 817 481 Fax:(+33) 474 730 475
		OPTIMA JAR 90x37 (185ml)	
DRAWN: NM CHECKED: MG SCALE: 1		DATE: 26.04.01 DATE: 23.11.07 ISSUE: B	
RAW MATERIAL: PP WEIGHT: 18.5±1.5g BRIMFUL CAPACITY: 211±4ml			
REFERENCE: 80032..		CUSTOMER: STANDARD DRAWING NUMBER: WEB-01_043	