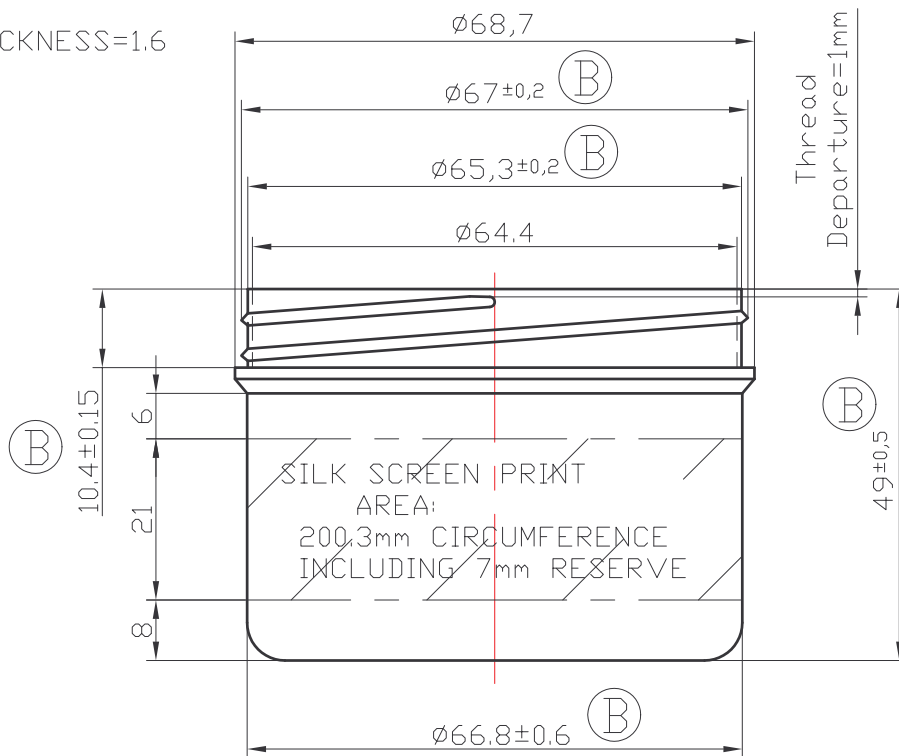

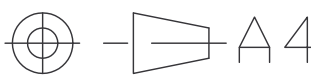


THREAD THICKNESS=1.6  
PITCH=5mm



DIMENSIONS	TOL.
$a < 10$	$\pm 0,3$
$10 < a < 25$	$\pm 0,4$
$25 < a < 50$	$\pm 0,55$
$50 < a < 75$	$\pm 0,83$
$75 < a < 150$	$\pm 1,15$
$150 < a < 200$	$\pm 1,5$
$200 < a < 250$	$\pm 1,8$

ISSUE	DATE	MODIFICATIONS
B	06.02.06	ADDITION: TOLERANCE $\pm 0,15$ , $\pm 0,6$ , $\pm 0,5$ , $\pm 0,2$ ON DIMENSIONS 10.4; $\phi 66,8$ , 49, $\phi 65,3$ , $\phi 67$
ALL REPRODUCTION OR COMMUNICATION OF THIS INFORMATION TO A THIRD PARTY IS STRICTLY FORBIDDEN WITHOUT PROMENS WRITTEN AUTHORISATION		
		OPTIMA JAR 65x50 (150ml)
DRAWN: NM CHECKED: MG SCALE: 1		DATE: 26.04.01 DATE: 23.11.07 ISSUE: B
RAW MATERIAL: PP WEIGHT: $17 \pm 1\text{g}$ BRIMFUL CAPACITY: $147 \pm 2,5\text{ml}$		
B.P.9 - Bellignat 01115 OYONNAX FRANCE Tél:(+33) 474 817 481 Fax:(+33) 474 730 475 REFERENCE: 80017.. CUSTOMER: STANDARD DRAWING NUMBER: WEB-01_040		