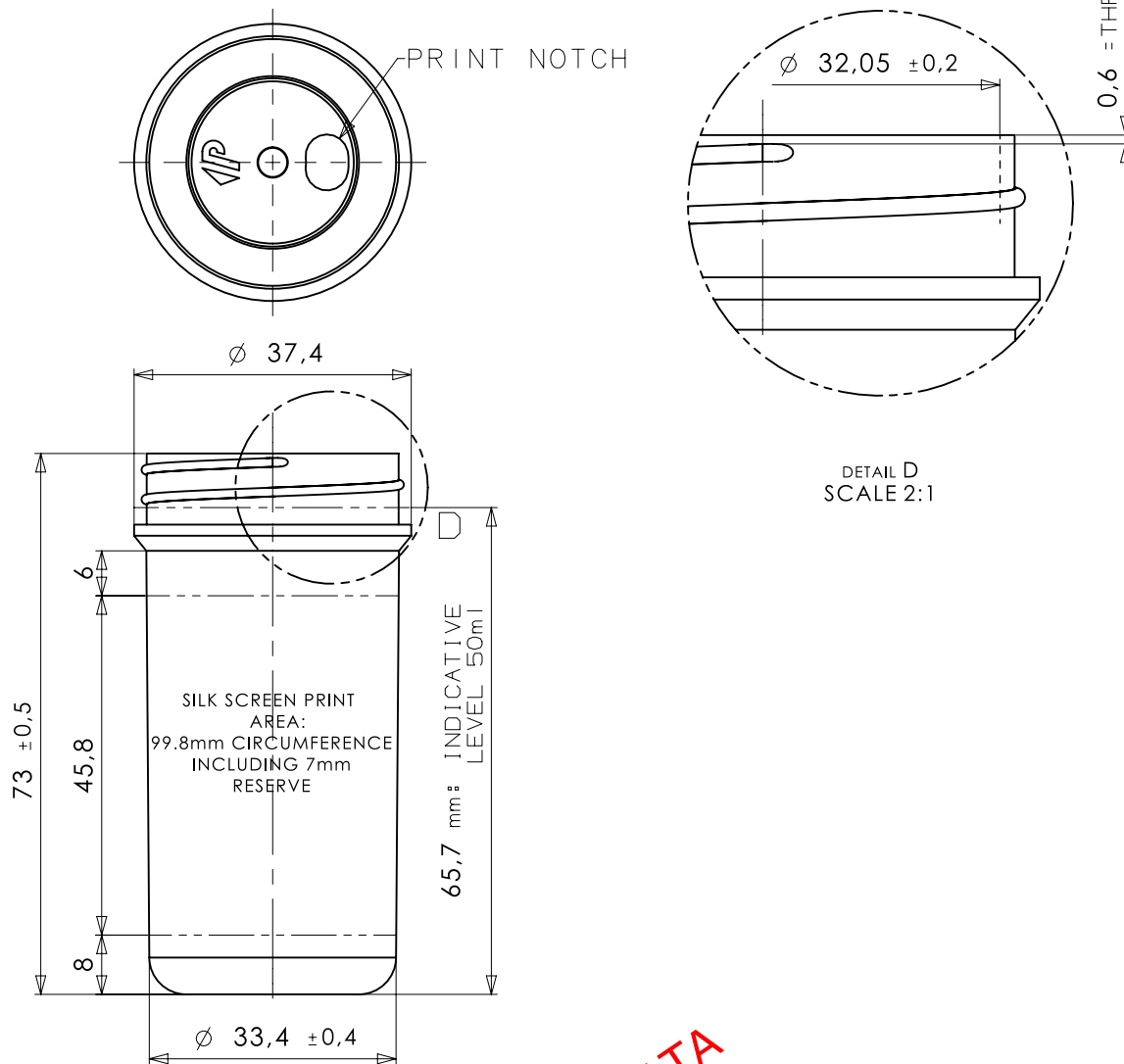


PITCH=4
 THREAD TURN NUMBER=1.5



DUPLICATA

F	02/07/21	Weight 8.5±0.5g was 8±0.5g	PHGO	RECO	
Issue	Date	Modifications (see historic at back)	Modified	Checked	
 BERRY BRAMLAGE - Bellignat 5 rue Castellion 01117 Oyonnax Cedex FRANCE Tel: +33 474 817 481 Fax: +33 474 817 485	Designation: Optima jar 35x70 50 ml		Drawn by: NIMA	Date: 26/04/2001	
	Raw material: PP		Brimfull capa.: 56.8±1.5ml	Weight: 8.5±0.5g	Checked by: MAGE
Scale: 1:1		Reference: 80008..			Date: 23/11/2007
Standard for dimensions without tolerances: NFT 58 000 Normal class		Drawing n°: WEB01_035			
ALL REPRODUCTION OR COMMUNICATION TO THIRD PARTY IS STRICTLY FORBIDDEN WITHOUT BERRY WRITTEN AUTHORISATION					